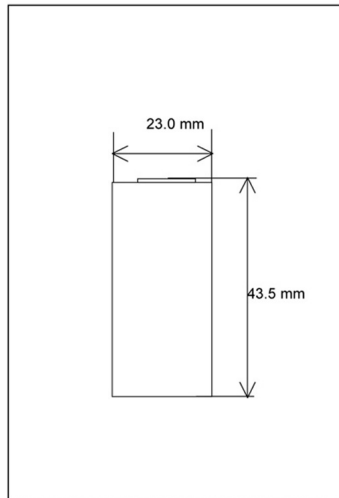


Cell Type RC-3000HV

Specifications



Type : Nickel-Metal Hydride Battery		Size : SC	
Capacity ¹⁾	Typical	3000mAh	
	Minimum	mAh	
Nominal Voltage		2700V	
Charging Current x Time		Fast Charge ²⁾ 3000mA x about 1.1Hr.	
Ambient Temperature	Charge Condition	Fast Charge ²⁾ 0 ~ 40°C	
	Discharge Condition 0 ~ 50°C		
	Storage Condition	~30days	-20 ~ 50 °C
		30~90days	-20 ~ 40 °C
90days~1year		-20 ~ -30 °C	
Internal Impedance ³⁾ (after discharge to E.V. = 1.0V)		About 5mOhms (at 1000Hz)	
Weight ⁴⁾		About 62g	
Size : (Width) x (Thickness) x (Height) ⁴⁾		(D) x 0.0(T) x 43.5(H)mm	

C

o

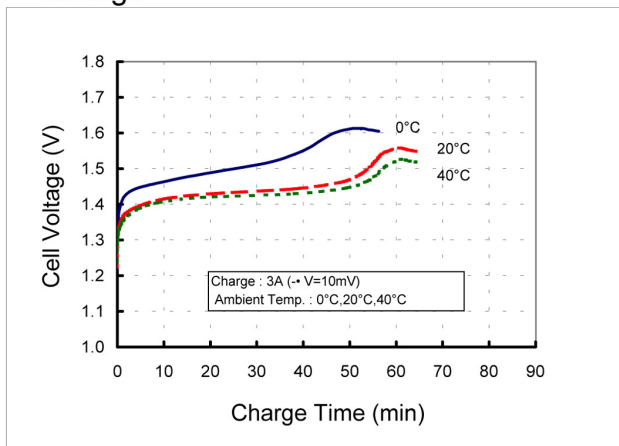
2) Use recommended charging system

3) After a few charge and discharge cycles under the above 1) condition

4) With tube

Typical Characteristics

Charge



Discharge

